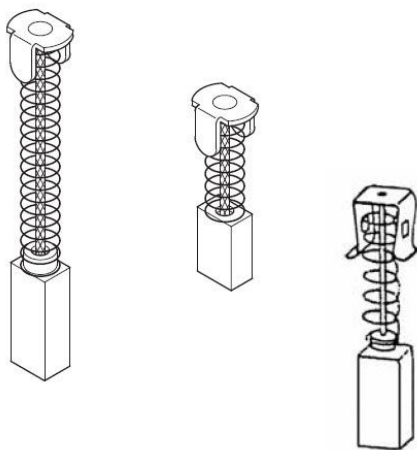


Makita®

SPAZZOLE



UTENSILE	TIPO	CODICE	UTENSILE	TIPO	CODICE	UTENSILE	TIPO	CODICE		
410	CB-165	191936-5	6822	CB-415	191950-1	2414K	CB-153	181044-0		
440		80051B5X	6826	CB-419	191962-4	2414NB	CB-203	191953-5		
443		W26774	6827			3600BR	CB-153	181044-0		
903	CB-1	181019-9	6830			3612BR				
906	CB-64	191627-8	6832			3612C	CB-203	191953-5		
1100	CB-100	181030-1	6833			3700B	CB-51	181021-2		
1901	CB-51	181021-2	6834			3702B				
1902			6842	3707FC	CB-411	191940-4				
2012	CB-153	181044-0	6843	3708FC		4014N	CB-51	181021-2		
2414			6906	CB-100	181030-1	4100R	CB-253	194547-5		
2704			6950	CB-411	191940-4	4101RH	CB-303	191963-2		
3612			6951		8406	CB-106	181410-1	4101RW	CB-253	194547-5
3620	CB-113	191904-8	9027	CB-204	191957-7	4105KB	CB-100	181030-1		
3703	CB-411	191940-4	9030	CB-51	181021-2	4112HS	CB-204	191957-7		
3704			9031	CB-411	191940-4	4157KB	CB-153	181044-0		
3705	CB-65	191628-6	9032		9035	CB-64	191627-8	420S	CB-412	191946-2
3706	CB-64	191627-8	9036	CB-70	191914-5	4300BA	CB-51	181021-2		
3707	CB-411	191940-4	9046	CB-419	191962-4	4300BV				
3708			9067	CB-204	191957-7	4301BV	4301SV	CB-64	191627-8	
3709			9069		9402	CB-153	181044-0	4302C	CB-113	191904-8
3710			9403	CB-303	191963-2	4304T	CB-419	191962-4		
3901			9541	CB-302	191959-3	4305T		4331D	CB-430	191971-3
4131	CB-303	191963-2	9542		7741	CB-100	181030-1	4334D	CB-441	194435-6
4304	CB-419	191962-4	9741	9901	CB-303		191963-2	4340CT	CB-419	191962-4
4305			9902	9903		4340FCT				
4306			9910	CB-411		191940-4	4340T			
4320			9911		1805B	CB-155	181048-2	4341CT		
4322	CB-70	191914-5	1806B	CB-153	181044-0	4341FCT				
4323			1911B	CB-106	181410-1	4350CT	CB-419	191962-4		
4324			1923B	CB-51	181021-2	4350FCT				
4326			1923H	CB-132	191972-1	4350T	4351CT			
4327			2106W	CB-100	181030-1	4351FCT	4351T			
4329			2107FK	CB-303	191963-2	445X		80050BOX		
5014	CB-403	191928-4	2412N	CB-153	181044-0	446L		W26774		
6310	CB-419	191962-4	2414B	CB-203	191953-5	447L				
6402	CB-415	191950-1	2414EN		5008MG	CB-153	181044-0			
6408	CB-419	191962-4		5012B						
6410	CB-64	191627-8								
6413										
6501	CB-70	191914-5								
6807	CB-419	191962-4								
6821										

UTENSILE	TIPO	CODICE	UTENSILE	TIPO	CODICE	UTENSILE	TIPO	CODICE
5014B	CB-153	181044-0	6800DBV	CB-64	191627-8	9029/S/SF	CB-204	191957-7
5014NB	CB-155	181048-2	6802BV			9035N	CB-64	191627-8
5016B	CB-153	181044-0	6805BV			9039SF	CB-204	191957-7
5017RKB	CB-303	191963-2	6820V	CB-415	191950-1	9045B	CB-100	181030-1
5100BR	CB-153	181044-0	6823/K	CB-419	191962-4	9045N		
5103R	CB-203	191953-5	6824/K			9047F/S	CB-204	191957-7
5104S			6825/K			9049F/S/SF		
5143R			6825RK			9059SF		
5600NB	CB-100	181030-1	6841R	CB-411	191940-4	9077SF		
5603R	CB-303	191963-2	6904VH	CB-415	191950-1	9079SF	CB-100	181030-1
5604R			6905B	CB-65	191628-6	9207SPB		
5621RD	CB-441	194435-6	6905H	CB-415	191950-1	9207SPC		
5703R	CB-303	191963-2	6908D	CB-424	191966-6	9217SPC		
5704R			6914D			9218SB		
5705R			6916D			9227CB	CB-303	191963-2
5800NB	CB-100	181030-1	6916FD	9237CB				
5900BR	CB-153	181044-0	6918D	CB-434	193466-2	9404X	CB-65	191628-6
5903R	CB-203	191953-5	6918FD			9501BH		
6010B	CB-64	191627-8	6934FD			9503BH	CB-411	191940-4
6010BVR			6935FD			9521NB		
6013B	CB-51	181021-2	6936FD	9524NB	CB-411	191940-4		
6013BR			6960D	CB-424				
6203D	CB-430	191971-3	6980FD	CB-434			193466-2	9527PB/K
6204D	CB-424	191966-6	6990D					9528NB/K
6207D	CB-430	191971-3	6992D	CB-153	181044-0	9528PB/K		
6213D			7104L			CB-105	181038-5	9554HNN
6214D	CB-424	191966-6	8035NB	CB-105	181038-5	9554HNG	CB-325	194074-2
6300-4	CB-51	181021-2	8406C	CB-253	194547-5	9554NB		
6313D	CB-430	191971-3	8413D	CB-430	191971-3	9555NB		
6314D	CB-424	191966-6	8414D			9557HN		
6316D	CB-430	191971-3	8419B	CB-51	181021-2	9557HNG		
6317D			8419B.2	CB-55	181026-2	9557HNRG		
6319D			8433D	CB-430	191971-3	9557HP		
6333D			8434D			9557NB		
6336D			8443D			9557NBR		
6337D			8444D			9557PB		
6339D			8450/K	CB-419	191962-4	9558HN		
6343D			8451K			9558HNRG		
6347D			9005B	CB-100	181030-1	9558HHP		
6349D			9006B			9558HPG		
6503D			CB-424	191966-6	9015B	CB-303	191963-2	9558NB
6510PBL	CB-64	191627-8	9016B	9558PB				

UTENSILE	TIPO	CODICE	UTENSILE	TIPO	CODICE	UTENSILE	TIPO	CODICE			
9561CV	CB-318	191978-9	BFS450R	CB-440	194427-5	BO4554	CB-64	191627-8			
9561CVH			BFS451R			BO4555	CB-419	191962-4			
9561CVR			BGA450R	CB-430	191971-3	BO4556	CB-64	191627-8			
9562CVH			BGA452R			BO4560					
9564/Z			BHP440S	CB-440	194427-5	BO4561	CB-419	191962-4			
9564H	CB-325	194074-2	BHP441S			BO4563					
9565/Z	CB-318	191978-9	BHP442R			BO4565					
9565CLR			BHP446R			BO4566					
9565CV			BHP448R			BO4900V					
9565CVL			BHP450S			BO4901					
9565CVR			BHP451S			BO5000					
9565H	CB-325	194074-2	BHP452R			BO5001					
9565PCV	CB-318	191978-9	BHP456R			BO5010			CB-64	191627-8	
9566CV			BHP458R			BO5021					
9566CVR			BHP460S	CB-430	191971-3	BO5030	CB-419	191962-4			
9609HB	BHR162R	BO5031									
9609HBS	BHR200S	BO5041	CB-64			191627-8					
9609NB	BHR240R	CB-442	194928-3	BO6010	CB-65	191628-6					
9920X	CB-303			191963-2	BHR261D	BO6030	CB-419	191962-4			
9924DB	CB-100			181030-1	BHR261TD	BO6040	CB-318	191978-9			
BCS550R	CB-430	191971-3	BHR262R	CB-430	194435-6	BO6050J	CB-325	194074-2			
BDA340R	CB-440	194427-5	BHR262T			BJS100Z	CB-430	191971-3	BPJ180Z	CB-430	191971-3
BDA341R			BHS630R	CB-441	194435-6	BJS161Z	CB-430	191971-3	BSR730S	CB-441	194435-6
BDA350R			BJN161Z	CB-430	191971-3	BJR141R	CB-441	194435-6	BSS500R	CB-430	191971-3
BDA351R			BJR181R	BSS501R							
BDF440S			BJR182R	BSS610R	CB-441	194435-6					
BDF441S			BJR240S	BSS611R							
BDF442R			BJS100Z	CB-430	191971-3	BTD130F	CB-440	194427-5			
BDF446R			BJS101Z	CB-440	194427-5	BTD134R					
BDF448R			BJS130R	CB-440	194427-5	BTD140S					
BDF450S			BJS160Z	CB-430	191971-3	BTD146R					
BDF451S			BJS161Z			BTD200S	CB-441	194435-6			
BDF452R			BJV140R			BTP130R	CB-440	194427-5			
BDF454R			BJV180R	CB-441	194435-6	BTS130R	CB-441	194435-6			
BDF456R			BKPI80Z			BTW200S					
BDF458R			BL5713Z	CB-440	194427-5	BUB360	CB-430	191971-3			
BDF460S			BO3700			CA5000	CB-303	191963-2			
BFR440S			BO3711			DA3000	CB-65	191628-6			
BFR540R	BO4540	DA3000R									
BFR550R	BO4550	DA3000V									
BFS440R	BO4553	DA3010F	CB-419	191962-4							
BFS441Z		DA6301	CB-100	181030-1							

UTENSILE	TIPO	CODICE	UTENSILE	TIPO	CODICE	UTENSILE	TIPO	CODICE	
DBM080		7132A22S	DTW250Z	CB-440	194427-5	GA9040R	CB-204	191957-7	
DBM130			DTW251R	CB-448	196854-2	GA9040S			
DBM230			DTW251RF			GA9050R			
DBN500Z	CB-440	194427-5	DTW450R	CB-441	194435-6	GA9060	CB-218	197129-2	
DCO180Z	CB-430	191971-3	DTW450R		GA9061R				
DCS550			DUC122R	CB-430	191971-3	GA9063R			
DCS552			DVC860L	CB-353	197208-6	GD0600	CB-325	194074-2	
DAA351Z	CB-440	194427-5	FS2300K	CB-419	191962-4	GD0602			
DDF446R			FS2500K			GD0603	CB-64	191627-8	
DDF456R			FS2700K			GD0800C	CB-318	191978-9	
DDF458R			FS4000			GD0801C			
DDF482R			FS4300K			GD0810C			
DGD800R			CB-430			191971-3			FS6300RK
DHP446R	CB-440	194427-5	GA4530	CB-459	194722-3	GS6000	CB-204	191957-7	
DHP451R			GA4530R			GV5010	CB-64	191627-8	
DHP456R			GA4534			GV6010			
DHP458R			GA4540	CB-325	194074-2	GV7000C	CB-303	191963-2	
DHP482R			GA4540C	CB-318	191978-9	HB500		E1B106C	
DHR164Z			CB-430	191971-3	GA4540R	CB-325	194074-2	HK0500	CB-113
DHR165Z	GA5000	CB-100			181030-1	HK1800	CB-105	181038-5	
DHR202R	CB-441	194435-6	GA5010	CB-303	191963-2	HK1810			
DHR202R			GA5020			HK1820	CB-350	194160-9	
DHR241R			GA5020C	CB-253	194547-5	HK1820L			
DHR263Z	CB-442	194928-3	GA5021C			GA5034	CB-459	194722-3	HM0810
DHR264Z			GA5040	CB-325	194074-2	HM0810B			
DHS630Z	CB-441	194435-6	GA5040C	CB-318	191978-9	HM0810T			
DHS710Z	CB-442	194928-3	GA5040R	CB-325	194074-2	HM0860C	CB-304	191961-6	
DJR186R	CB-441	194435-6	GA6020	CB-303	191963-2	HM0870C	CB-350	194160-9	
DJS101Z	CB-430	191971-3	GA6021C	CB-253	194547-5	HM0871C			
DP2010	CB-419	191962-4	GA6040CF	CB-318	191978-9	HM1100	CB-304	191961-6	
DP2011			GA7020	CB-204	191957-7	HM1100C			
DP4003K			GA7020S			HM1101C			CB-175
DP4011			GA7050R	CB-204	191957-7	HM1111C			
DP4700	CB-64	191627-8	GA7060	CB-218	197129-2	HM1130	CB-304	191961-6	
DS4010	CB-411	191940-4	GA9000	CB-153	181044-0	HM1130C			
DS4011			GA9010C	CB-204	191957-7	HM1140C			
DS4012			GA9020			HM1200	CB-155	181048-2	
DSC191Z	GA9020S	HM1200K							
DTD146R	GA9030	HM1202C							
DTD152R	CB-448	196854-2	GA9030R			HM1203C	CB-175	195844-2	
DTP140R	CB-440	194427-5	GA9030S			HM1213C			
DTW250R			GA9030S	HM1214C					

UTENSILE	TIPO	CODICE	UTENSILE	TIPO	CODICE	UTENSILE	TIPO	CODICE	
HMI300	CB-155	181048-2	HR2410/X	CB-419	191962-4	HR4500C	CB-155	181048-2	
HMI303	CB-204	191957-7	HR2413			HR4501C	CB-175	195844-2	
HMI304			HR2420			HR4510C			
HMI1317C	CB-175	195844-2	HR2430			HR4511C			
HMI1400	CB-155	181048-2	HR2432			HR5000	CB-155	181048-2	
HMI500	CB-204	191957-7	HR2440			HR5000K			
HMI800			HR2450			HR5001C			
HMI810			HR2450F/FT			HR5201C	HR5202C	CB-175	195844-2
HMI812			CB-218	197129-2	HR2460	HR5210C			
HP1300S	CB-64	191627-8	HR2470F	HR5211C					
HP1500	CB-419	191962-4	HR2470FT	HR5212C	HS0600	CB-153	181044-0		
HP1501			HR2510	CB-105	181038-5	HS6101K	CB-174	196018-8	
HP1620			HR2600	CB-325	194074-2	HR2601	HS660J	CB-303	191963-2
HP1621			HR2611FT			HR2611FT	HS7101K	CB-174	196018-8
HP1630	CB-85	191998-3	HR2630			HS7610	CB-303	191963-2	
HP1631			HR2631F			HR2631FT			HS7611
HP1640	CB-419	191962-4	HR2631FT			HW1200	CB-203	191953-5	
HP1641	HR2800	HR2811F	HR2811FT			HW1300			
HP2000	CB-106	181410-1	HR2811FT			JG1600	CB-65	191628-6	
HP2010N			HR3000C			CB-304			191961-6
HP2030	CB-419	191962-4	HR3200C	CB-350	194160-9	JN1601	CB-411	191940-4	
HP2031			HR3210C			JN3200	CB-100	181030-1	
HP2032			HR3210CFT			JN3201	CB-303	191963-2	
HP2033			HR3510	JR1000FT	CB-419	191962-4			
HP2040			HR3520	JR180D	CB-441	194435-6			
HP2041			HR3520B	JR3000	CB-51	181021-2			
HP2042			HR3540C	JR3000V	CB-55	181026-2			
HP2050			HR3541FC	JR3000VT		JR3020	CB-253	194547-5	
HP2051			HR3550C	CB-304	191961-6	JR3030T	CB-303	191963-2	
HP2051F			HR3850	HR3850B	CB-155	181048-2			
HP2071F			HR3850K	HR4000C	CB-327	194285-9			
HR1800	CB-105	181038-5	HR4001C	CB-350	194160-9	JS1000			CB-459
HR1820			HR4002			HR4003C	JS1600	CB-65	191628-6
HR1830	CB-419	191962-4	HR4010C			JS1601	CB-459	194722-3	
HR1841F	CB-459	194722-3	HR4011C			JS1602			
HR2000	CB-113	191904-8	HR4013C			JS1660	CB-65	191628-6	
HR2010	CB-105	181038-5	HR4000C			JS1670		191628-6	
HR2020	CB-419	191962-4	HR4001C			HR4002	CB-350	194160-9	
HR2220	CB-105	181038-5	HR4003C			HR4010C			
HR2230	CB-325	194074-2	HR4010C	HR4011C					
HR2300			HR4011C	HR4013C					
HR2400	CB-417	191955-1	HR4013C						

UTENSILE	TIPO	CODICE	UTENSILE	TIPO	CODICE	UTENSILE	TIPO	CODICE		
JS3200	CB-100	181030-1	M9503R	CB-411	191940-4	PJ7000	CB-459	194722-3		
JS3201	CB-303	191963-2	MLSI00		JM23000123	PO6000C	CB-318	191978-9		
JV0600K	CB-64	191627-8	MLTI00			PP200	CB-253	194547-5		
KP0800K	CB-411	191940-4	MT111	CB-303	191963-2	PV7000C	CB-303	191963-2		
KP0810K	CB-132	191972-1	MT191	CB-411	191940-4	PW5000C	CB-318	191978-9		
KP301		H311236	MT240	CB-203	191953-5	PW5000CH				
KP312S	CB-203	191953-5	MT242				RP0900	CB-106	181410-1	
LC1230				MT361	CB-106	181410-1	RP0910	CB-303	191963-2	
LF1000	CB-153	181044-0	MT362	CB-203	191953-5	RP1100C				
LH1040F				MT372	CB-411	191940-4	RP1800F	CB-203	191953-5	
LH1200FL		JM23000123	MT401	CB-85	191998-3	RP2300FC				
LS0714FL	CB-303	191963-2	MT430	CB-411	191940-4	RT0700C	CB-411	191940-4		
LS0810	CB-100	181030-1	MT431	CB-64	191627-8	SA5040C	CB-318	191978-9		
LS0815FL		JM23500117	MT582	CB-303	191963-2	SA7000	CB-204	191957-7		
LS1013	CB-153	181044-0	MT601	CB-85	191998-3	SA7000C				
LS1016F						MT607		SC161	CB-253	194547-5
LS1018L		JM23000123	MT653				SC190D	CB-430	191971-3	
LS1019L	CB-153	181044-0	MT660	CB-303	191963-2	SG1250	CB-318	191978-9		
LS1030				MT811	CB-85	191998-3		SG1251		
LS1040				MT814				SG150		B45872
LS1040F				MT815				SG180		
LS1214F				MT818				SL7000		MO1401045
LS1216F				MT870	CB-459	194722-3	SP6000K	CB-303	191963-2	
LS1219L				MT901	CB-204	191957-7	SR1600	CB-100	181030-1	
LS1440				MT903					SR1800	
LW1400	CB-203	191953-5	MT923	CB-64	191627-8	SR2100	CB-153	181044-0		
M2300		JM23000123	MT924	CB-419	191962-4	SR2300				
M3601	CB-106	181410-1	MT941	CB-153	181044-0	SR2600				
M4000	CB-85	191998-3	MT952	CB-411	191940-4	TD091D	CB-440	194427-5		
M4301	CB-64	191627-8	MT953				TD101F	CB-411	191940-4	
M4500	CB-303	191963-2	MT962				TM3000C	CB-459	194722-3	
M4501						MT963			TM3010C	
M6002	CB-85	191998-3	N1923B	CB-51	181021-2	TW0200	CB-411	191940-4		
M8100				N500	CB-411	191940-4		TW0350		
M8101				N5900B	CB-153	181044-0	TW1000	CB-153	181044-0	
M8104				N800	CB-419	191962-4	UB1101	CB-303	191963-2	
M8700	CB-459	194722-3	N910				UB1103Z			
M9001	CB-204	191957-7	NHP1300S	CB-415	191950-1	UC3000A		957802410		
M9203	CB-64	191627-8	PC1100	CB-100	181030-1	UC3001A				
M9204	CB-419	191962-4	PC5000C	CB-253	194547-5	UC3010A		957823410		
M9400	CB-153	181044-0	PC5001C				UC3020A	CB-132	191972-1	
M9502R	CB-411	191940-4	PC5010C	CB-318	191978-9	UC3041A				

UTENSILE	TIPO	CODICE	UTENSILE	TIPO	CODICE	UTENSILE	TIPO	CODICE
M9503R	CB-411	191940-4	UC4003A		957802410	UH5570	CB-419	191962-4
MLS100		JM23000123	UC4010A			UH6300	CB-55	181026-2
MLT100			UC4020A	CB-132	191972-1	UH6310A	CB-119	191911-1
MT111	CB-303	191963-2	UC4030A		957805410	UH6330		957800410
MT191	CB-411	191940-4	UC4051A	CB-153	181044-0	UH6350		
MT240	CB-203	191953-5	UH3000	CB-70	191914-5	UH6540		
MT242			UH4030		957800410	UH6570	CB-419	191962-4
MT361	CB-106	181410-1	UH4500	CB-55	181026-2	UH6580		957800410
UC3500A		957802410	UH4510A	CB-119	191911-1	UH7020		957800410
UC3501A			UH4520		957800410	UH7580	CB-419	191962-4
UC3503A			UH4830			UT120		7132A22S
UC3510A			UH4850			UT1400		
UC3520A	CB-132	191972-1	UH5260	CB-419	191962-4	UT1401		
UC3530A		957805410	UH5261			UT1600		80700019
UC3541A	CB-132	191972-1	UH5520		957800410	VC3210L		195483-8
UC3551A	CB-153	181044-0	UH5530			VC3211H	CB-173	
UC4000A		957802410	UH5540			VC3211M		
UC4001A			UH5550			VC3510	CB-303	80051B5X



Makita S.p.A. Con socio unico Direzione e Coordinamento Makita Corporation-Giappone
Via Sempione, 269/A - 20028 San Vittore Olona (MI) - Tel. 0331.524111 - Fax 0331.420285 - www.makita.it