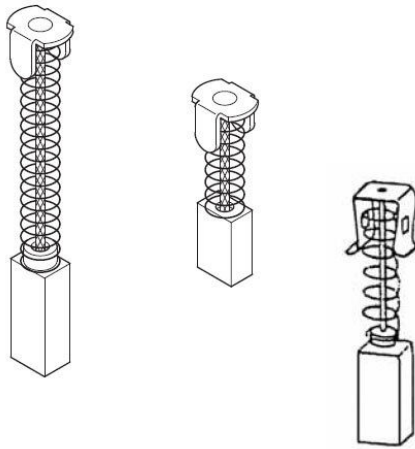


# Makita®

## SPAZZOLE



UTENSILE	TIPO	CODICE	UTENSILE	TIPO	CODICE	UTENSILE	TIPO	CODICE	
410	<b>CB-165</b>	191936-5	6822	<b>CB-415</b>	191950-1	2414K	<b>CB-153</b>	181044-0	
440		80051B5X	6826	<b>CB-419</b>	191962-4	2414NB	<b>CB-203</b>	191953-5	
443		W26774	6827			3600BR	<b>CB-153</b>	181044-0	
903	<b>CB-1</b>	181019-9	6830			3612BR			
906	<b>CB-64</b>	191627-8	6832			3612C	<b>CB-203</b>	191953-5	
1100	<b>CB-100</b>	181030-1	6833			3700B	<b>CB-51</b>	181021-2	
1901	<b>CB-51</b>	181021-2	6834			3702B			
1902			6842	3707FC	<b>CB-411</b>	191940-4			
2012	<b>CB-153</b>	181044-0	6843	3708FC		4014N	<b>CB-51</b>	181021-2	
2414			6906	<b>CB-100</b>	181030-1	4100R	<b>CB-253</b>	194547-5	
2704			6950	<b>CB-411</b>	191940-4	4101RH	<b>CB-303</b>	191963-2	
3612			6951		8406	<b>CB-106</b>	181410-1	4101RW	<b>CB-253</b>
3620	<b>CB-113</b>	191904-8	9027	<b>CB-204</b>	191957-7	4105KB	<b>CB-100</b>	181030-1	
3703	<b>CB-411</b>	191940-4	9030	<b>CB-51</b>	181021-2	4112HS	<b>CB-204</b>	191957-7	
3704			9031	<b>CB-411</b>	191940-4	4157KB	<b>CB-153</b>	181044-0	
3705	<b>CB-65</b>	191628-6	9032		9035	<b>CB-64</b>	191627-8	420S	<b>CB-412</b>
3706	<b>CB-64</b>	191627-8	9036	<b>CB-70</b>	191914-5	4300BA	<b>CB-51</b>	181021-2	
3707	<b>CB-411</b>	191940-4	9046	<b>CB-419</b>	191962-4	4300BV			
3708			9067	<b>CB-204</b>	191957-7	4301BV	4301SV	<b>CB-64</b>	191627-8
3709			9069		9402	<b>CB-153</b>	181044-0	4302C	<b>CB-113</b>
3710			9403	<b>CB-303</b>	191963-2	4304T	<b>CB-419</b>	191962-4	
3901			9541	<b>CB-302</b>	191959-3	4305T		4331D	<b>CB-430</b>
4131	<b>CB-303</b>	191963-2	9542		7741	<b>CB-100</b>	181030-1	4334D	<b>CB-441</b>
4304	<b>CB-419</b>	191962-4	9741	9901	<b>CB-303</b>		191963-2	4340CT	<b>CB-419</b>
4305			9902	9903		4340T			
4306			9910	<b>CB-411</b>		191940-4	4341CT		
4320			<b>CB-70</b>		191914-5	4341FCT			
4322	<b>CB-64</b>	191627-8	9911	1805B	<b>CB-155</b>	181048-2	4350CT		
4323			1806B	<b>CB-153</b>	181044-0	4350FCT			
4324			1911B	<b>CB-106</b>	181410-1	4350T			
4326			1923B	<b>CB-51</b>	181021-2	4351CT			
4327			1923H	<b>CB-132</b>	191972-1	4351FCT			
4329			2106W	<b>CB-100</b>	181030-1	4351T			
5014	<b>CB-403</b>	191928-4	2107FK	<b>CB-303</b>	191963-2	445X		80050BOX	
6310	<b>CB-419</b>	191962-4	2412N	<b>CB-153</b>	181044-0	446L		W26774	
6402	<b>CB-415</b>	191950-1	2414B	<b>CB-203</b>	191953-5	447L	<b>CB-153</b>	181044-0	
6408	<b>CB-419</b>	191962-4	2414EN		5008MG	5012B			
6410	<b>CB-64</b>	191627-8							
6413									
6501	<b>CB-70</b>	191914-5							
6807	<b>CB-419</b>	191962-4							
6821									

UTENSILE	TIPO	CODICE	UTENSILE	TIPO	CODICE	UTENSILE	TIPO	CODICE		
5014B	<b>CB-153</b>	181044-0	6800DBV	<b>CB-64</b>	191627-8	9029/S/SF	<b>CB-204</b>	191957-7		
5014NB	<b>CB-155</b>	181048-2	6802BV			9035N	<b>CB-64</b>	191627-8		
5016B	<b>CB-153</b>	181044-0	6805BV			9039SF	<b>CB-204</b>	191957-7		
5017RKB	<b>CB-303</b>	191963-2	6820V	<b>CB-415</b>	191950-1	9045B	<b>CB-100</b>	181030-1		
5100BR	<b>CB-153</b>	181044-0	6823/K	<b>CB-419</b>	191962-4	9045N				
5103R	<b>CB-203</b>	191953-5	6824/K							
5104S			6825/K							
5143R			6825RK							
5600NB	<b>CB-100</b>	181030-1	6841R	<b>CB-411</b>	191940-4	9077SF	<b>CB-100</b>	181030-1		
5603R	<b>CB-303</b>	191963-2	6904VH	<b>CB-415</b>	191950-1	9079SF				
5604R			6905B	<b>CB-65</b>	191628-6	9207SPB				
5621RD	<b>CB-441</b>	194435-6	6905H	<b>CB-415</b>	191950-1	9207SPC	<b>CB-100</b>	181030-1		
5703R	<b>CB-303</b>	191963-2	6908D	<b>CB-424</b>	191966-6	9217SPC				
5704R			6914D							
5705R			6916D							
5800NB	<b>CB-100</b>	181030-1	6916FD	<b>CB-434</b>	193466-2	9227CB	<b>CB-303</b>	191963-2		
5900BR	<b>CB-153</b>	181044-0	6918D							
5903R	<b>CB-203</b>	191953-5	6918FD							
6010B	<b>CB-64</b>	191627-8	6934FD							
6010BVR			6935FD							
6013B	<b>CB-51</b>	181021-2	6936FD	<b>CB-424</b>	191966-6	9501BH	<b>CB-65</b>	191628-6		
6013BR			6960D							
6203D	<b>CB-430</b>	191971-3	6980FD	<b>CB-434</b>	193466-2	9503BH	<b>CB-411</b>	191940-4		
6204D	<b>CB-424</b>	191966-6	6990D							
6207D	<b>CB-430</b>	191971-3	6992D							
6213D			7104L	<b>CB-153</b>	181044-0					
6214D	<b>CB-424</b>	191966-6	8035NB	<b>CB-105</b>	181038-5	9524NB	<b>CB-411</b>	191940-4		
6300-4	<b>CB-51</b>	181021-2	8406C	<b>CB-253</b>	194547-5	9527NB/K				
6313D	<b>CB-430</b>	191971-3	8413D	<b>CB-430</b>	191971-3	9527PB/K				
6314D	<b>CB-424</b>	191966-6	8414D							
6316D	<b>CB-430</b>	191971-3	8419B	<b>CB-51</b>	181021-2	9528NB/K	<b>CB-411</b>	191940-4		
6317D			8419B.2	<b>CB-55</b>	181026-2	9528PB/K				
6319D			8433D	<b>CB-430</b>	191971-3	9554HN			<b>CB-325</b>	194074-2
6333D			8434D							
6336D			8443D							
6337D			8444D							
6339D			8450/K	<b>CB-419</b>	191962-4	9554HNG	<b>CB-325</b>	194074-2		
6343D			8451K							
6347D			9005B	<b>CB-100</b>	181030-1	9554HNB				
6349D			9006B							
6503D			<b>CB-424</b>	191966-6	9015B	<b>CB-303</b>			191963-2	9555NB
6510PBL	<b>CB-64</b>	191627-8	9016B							
						9557HN			<b>CB-325</b>	194074-2
						9557HNG				
						9557HNRG				
						9557HP				
						9557NB				
						9557NBR				
						9557PB				
						9558HN				
						9558HNRG				
						9558HHP				
						9558HPG				
						9558NB				
						9558PB				

UTENSILE	TIPO	CODICE	UTENSILE	TIPO	CODICE	UTENSILE	TIPO	CODICE			
9561CV	CB-318	191978-9	BFS450R	CB-440	194427-5	BO4554	CB-64	191627-8			
9561CVH			BFS451R			BO4555	CB-419	191962-4			
9561CVR			BGA450R	CB-430	191971-3	BO4556	CB-64	191627-8			
9562CVH			BGA452R			BO4560					
9564/Z			BHP440S	CB-440	194427-5	BO4561	CB-419	191962-4			
9564H	CB-325	194074-2	BHP441S			BO4563					
9565/Z	CB-318	191978-9	BHP442R			BO4565					
9565CLR			BHP446R			BO4566					
9565CV			BHP448R			BO4900V					
9565CVL			BHP450S			BO4901					
9565CVR			BHP451S			BO5000					
9565H	CB-325	194074-2	BHP452R			BO5001					
9565PCV	CB-318	191978-9	BHP456R			BO5010			CB-64	191627-8	
9566CV			BHP458R			BO5021					
9566CVR			BHP460S	CB-430	191971-3	BO5030	CB-419	191962-4			
9609HB	BHR162R	BO5031									
9609HBS	BHR200S	BO5041	CB-64			191627-8					
9609NB	BHR240R	CB-442	194928-3	BO6010	CB-65	191628-6					
9920X	CB-303			191963-2	BHR261D	BO6030	CB-419	191962-4			
9924DB	CB-100			181030-1	BHR261TD	BO6040	CB-318	191978-9			
BCS550R	CB-430	191971-3	BHR262R	CB-441	194435-6	BO6050J	CB-325	194074-2			
BDA340R	CB-440	194427-5	BHR262T			BJS100Z	CB-430	191971-3	BPJ180Z	CB-430	191971-3
BDA341R			BHS630R	CB-441	194435-6	BJS161Z	CB-430	191971-3	BSR730S	CB-441	194435-6
BDA350R			BJR161Z	CB-430	191971-3	BJR141R	CB-441	194435-6	BSS500R	CB-430	191971-3
BDA351R			BJR181R	BSS501R							
BDF440S			BJR182R	BSS610R	CB-441	194435-6					
BDF441S			BJR240S	BSS611R							
BDF442R			BJS100Z	CB-430	191971-3	BTD130F	CB-440	194427-5			
BDF446R			BJS101Z	CB-440	194427-5	BTD134R					
BDF448R			BJS130R	CB-440	194427-5	BTD140S					
BDF450S			BJS160Z	CB-430	191971-3	BTD146R					
BDF451S			BJS161Z			BTD200S	CB-441	194435-6			
BDF452R			BJV140R			BTP130R	CB-440	194427-5			
BDF454R			BJV180R	CB-441	194435-6	BTS130R	CB-441	194435-6			
BDF456R			BKPI80Z			BTW200S					
BDF458R			BL5713Z	CB-440	194427-5	BUB360	CB-430	191971-3			
BDF460S			BO3700			CA5000	CB-303	191963-2			
BFR440S			BO3711			DA3000	CB-65	191628-6			
BFR540R	BO4540	DA3000R									
BFR550R	BO4550	DA3000V									
BFS440R	BO4553	BO4553	CB-64	191627-8	DA3010F	CB-419	191962-4				
BFS441Z					DA6301	CB-100	181030-1				

UTENSILE	TIPO	CODICE	UTENSILE	TIPO	CODICE	UTENSILE	TIPO	CODICE
DBM080		7132A22S	DTW250Z	<b>CB-440</b>	194427-5	GA9040R	<b>CB-204</b>	191957-7
DBM130			DTW251R	<b>CB-448</b>	196854-2	GA9040S		
DBM230			DTW251RF			GA9050R		
DBN500Z	<b>CB-440</b>	194427-5	DTW450R	<b>CB-441</b>	194435-6	GA9060	<b>CB-218</b>	197129-2
DCO180Z	<b>CB-430</b>	191971-3	DTW450R			GA9061R		
DCS550			DUC122R	<b>CB-430</b>	191971-3	GA9063R		
DCS552			DVC860L	<b>CB-353</b>	197208-6	GD0600	<b>CB-325</b>	194074-2
DDA351Z	<b>CB-440</b>	194427-5	FS2300K	<b>CB-419</b>	191962-4	GD0602		
DDF446R			FS2500K			GD0603	<b>CB-64</b>	191627-8
DDF456R			FS2700K			GD0800C	<b>CB-318</b>	191978-9
DDF458R			FS4000			GD0801C		
DDF482R			FS4300K			GD0810C		
DGD800R			<b>CB-430</b>			191971-3		
DHP446R	<b>CB-440</b>	194427-5	GA4530	<b>CB-459</b>	194722-3	GS6000	<b>CB-204</b>	191957-7
DHP451R			GA4530R			GV5010	<b>CB-64</b>	191627-8
DHP456R			GA4534			GV6010		
DHP458R			GA4540	<b>CB-325</b>	194074-2	GV7000C	<b>CB-303</b>	191963-2
DHP482R			GA4540C	<b>CB-318</b>	191978-9	HB500		E1B106C
DHR164Z	<b>CB-430</b>	191971-3	GA4540R	<b>CB-325</b>	194074-2	HK0500	<b>CB-113</b>	191904-8
DHR165Z			GA5000	<b>CB-100</b>	181030-1	HK1800	<b>CB-105</b>	181038-5
DHR202R	<b>CB-441</b>	194435-6	GA5010	<b>CB-303</b>	191963-2	HK1810		
DHR202R			GA5020	<b>CB-253</b>	194547-5	HK1820	<b>CB-350</b>	194160-9
DHR241R			GA5020C			HK1820L		
DHR263Z	<b>CB-442</b>	194928-3	GA5021C	<b>CB-459</b>	194722-3	HM0810	<b>CB-105</b>	181038-5
DHR264Z			GA5034			HM0810B		
DHS630Z	<b>CB-441</b>	194435-6	GA5040	<b>CB-325</b>	194074-2	HM0810T		
DHS710Z	<b>CB-442</b>	194928-3	GA5040C	<b>CB-318</b>	191978-9	HM0860C	<b>CB-304</b>	191961-6
DJR186R	<b>CB-441</b>	194435-6	GA5040R	<b>CB-325</b>	194074-2	HM0870C	<b>CB-350</b>	194160-9
DJS101Z	<b>CB-430</b>	191971-3	GA6020	<b>CB-303</b>	191963-2	HM0871C		
DP2010	<b>CB-419</b>	191962-4	GA6021C	<b>CB-253</b>	194547-5	HM1100	<b>CB-304</b>	191961-6
DP2011			GA6040CF	<b>CB-318</b>	191978-9	HM1100C		
DP4003K			GA7020	<b>CB-204</b>	191957-7	HM1101C		
DP4011			GA7020S					
DP4700	<b>CB-64</b>	191627-8	GA7050R	<b>CB-204</b>	191957-7	HM1130	<b>CB-304</b>	191961-6
DS4010	<b>CB-411</b>	191940-4	GA7060	<b>CB-218</b>	197129-2	HM1130C		
DS4011			GA9000	<b>CB-153</b>	181044-0	HM1140C		
DS4012			GA9010C	<b>CB-204</b>	191957-7	HM1200	<b>CB-155</b>	181048-2
DSC191Z	GA9020	HM1200K						
DTD146R	GA9020S	HM1202C						
DTD152R	<b>CB-448</b>	196854-2	GA9030			HM1203C	<b>CB-175</b>	195844-2
DTP140R	<b>CB-440</b>	194427-5	GA9030R			HM1213C		
DTW250R	GA9030S		HM1214C					

UTENSILE	TIPO	CODICE	UTENSILE	TIPO	CODICE	UTENSILE	TIPO	CODICE	
HM1300	<b>CB-155</b>	181048-2	HR2410/X	<b>CB-419</b>	191962-4	HR4500C	<b>CB-155</b>	181048-2	
HM1303	<b>CB-204</b>	191957-7	HR2413			HR4501C	<b>CB-175</b>	195844-2	
HM1304			HR2420			HR4510C			
HM1317C	<b>CB-175</b>	195844-2	HR2430			HR4511C			
HM1400	<b>CB-155</b>	181048-2	HR2432			HR5000	<b>CB-155</b>	181048-2	
HM1500	<b>CB-204</b>	191957-7	HR2440			HR5000K			
HM1800			HR2450			HR5001C			
HM1810			HR2450F/FT			HR5201C	HR5202C	<b>CB-175</b>	195844-2
HM1812			<b>CB-218</b>	197129-2	HR2460	HR5210C			
HP1300S	<b>CB-64</b>	191627-8	HR2470F	HR5211C					
HP1500	<b>CB-419</b>	191962-4	HR2470FT	HR5212C	HS0600	<b>CB-153</b>	181044-0		
HP1501			HR2510	<b>CB-105</b>	181038-5	HS6101K	<b>CB-174</b>	196018-8	
HP1620			HR2600	<b>CB-325</b>	194074-2	HS660J	<b>CB-303</b>	191963-2	
HP1621			HR2601			HS7101K	<b>CB-174</b>	196018-8	
HP1630	<b>CB-85</b>	191998-3	HR2611FT			HS7610	<b>CB-303</b>	191963-2	
HP1631			HR2611FT						
HP1640	<b>CB-419</b>	191962-4	HR2630			HS7611			
HP1641			HR2631F			HW1200	<b>CB-203</b>	191953-5	
HP2000	<b>CB-106</b>	181410-1	HR2631FT			HW1300			
HP2010N			HR2800			JG1600	<b>CB-65</b>	191628-6	
HP2030	<b>CB-419</b>	191962-4	HR2811F	JN1600					
HP2031			HR2811FT	JN1601	<b>CB-411</b>	191940-4			
HP2032			HR3000C	<b>CB-304</b>	191961-6	JN3200	<b>CB-100</b>	181030-1	
HP2033			HR3200C	<b>CB-350</b>	194160-9	JN3201	<b>CB-303</b>	191963-2	
HP2040			HR3210C			JR1000FT	<b>CB-419</b>	191962-4	
HP2041			HR3210FCT			JR180D	<b>CB-441</b>	194435-6	
HP2042			HR3510	<b>CB-105</b>	181038-5	JR3000	<b>CB-51</b>	181021-2	
HP2050			HR3520			JR3000V	<b>CB-55</b>	181026-2	
HP2051			HR3520B			JR3000VT			
HP2051F			HR3540C	<b>CB-350</b>	194160-9	JR3020	<b>CB-253</b>	194547-5	
HP2071F			HR3541FC			HR3550C	<b>CB-304</b>	191961-6	JR3030T
HR1800			<b>CB-105</b>	181038-5	HR3850	HR3850B	<b>CB-155</b>	181048-2	
HR1820	HR3850K								
HR1830	<b>CB-419</b>	191962-4	HR4000C	<b>CB-327</b>	194285-9	JR3061T			
HR1841F	<b>CB-459</b>	194722-3	HR4001C	<b>CB-350</b>	194160-9	JR3070CT			
HR2000	<b>CB-113</b>	191904-8	HR4002			JS1000	<b>CB-459</b>	194722-3	
HR2010	<b>CB-105</b>	181038-5	HR4003C			JS1600	<b>CB-65</b>	191628-6	
HR2020	<b>CB-419</b>	191962-4	HR4010C			JS1601	<b>CB-459</b>	194722-3	
HR2220	<b>CB-105</b>	181038-5	HR4011C			JS1602			
HR2230	<b>CB-325</b>	194074-2	HR4013C			JS1660	<b>CB-65</b>	191628-6	
HR2300			HR4013C			JS1670			
HR2400	<b>CB-417</b>	191955-1							

UTENSILE	TIPO	CODICE	UTENSILE	TIPO	CODICE	UTENSILE	TIPO	CODICE	
JS3200	<b>CB-100</b>	181030-1	M9503R	<b>CB-411</b>	191940-4	PJ7000	<b>CB-459</b>	194722-3	
JS3201	<b>CB-303</b>	191963-2	MLSI00		JM23000123	PO6000C	<b>CB-318</b>	191978-9	
JV0600K	<b>CB-64</b>	191627-8	MLTI00			PP200	<b>CB-253</b>	194547-5	
KP0800K	<b>CB-411</b>	191940-4	MT111	<b>CB-303</b>	191963-2	PV7000C	<b>CB-303</b>	191963-2	
KP0810K	<b>CB-132</b>	191972-1	MT191	<b>CB-411</b>	191940-4	PW5000C	<b>CB-318</b>	191978-9	
KP301		H311236	MT240	<b>CB-203</b>	191953-5	PW5000CH			
KP312S	<b>CB-203</b>	191953-5	MT242			RP0900	<b>CB-106</b>	181410-1	
LC1230			MT361	<b>CB-106</b>	181410-1	RP0910	<b>CB-303</b>	191963-2	
LF1000	<b>CB-153</b>	181044-0	MT362	<b>CB-203</b>	191953-5	RP1100C			
LH1040F			MT372	<b>CB-411</b>	191940-4	RP1800F	<b>CB-203</b>	191953-5	
LH1200FL		JM23000123	MT401	<b>CB-85</b>	191998-3	RP2300FC			
LS0714FL	<b>CB-303</b>	191963-2	MT430	<b>CB-411</b>	191940-4	RT0700C	<b>CB-411</b>	191940-4	
LS0810	<b>CB-100</b>	181030-1	MT431	<b>CB-64</b>	191627-8	SA5040C	<b>CB-318</b>	191978-9	
LS0815FL		JM23500117	MT582	<b>CB-303</b>	191963-2	SA7000	<b>CB-204</b>	191957-7	
LS1013	<b>CB-153</b>	181044-0	MT601		191998-3	SA7000C			
LS1016F			MT607	<b>CB-85</b>			SC161	<b>CB-253</b>	194547-5
LS1018L		JM23000123	MT653			SC190D	<b>CB-430</b>	191971-3	
LS1019L	<b>CB-153</b>	181044-0	MT660	<b>CB-303</b>	191963-2	SG1250	<b>CB-318</b>	191978-9	
LS1030				MT811		191998-3		SG1251	
LS1040				MT814	<b>CB-85</b>			SG150	B45872
LS1040F				MT815				SG180	
LS1214F				MT818				SL7000	MO1401045
LS1216F				MT870	<b>CB-459</b>	194722-3	SP6000K	<b>CB-303</b>	191963-2
LS1219L				MT901	<b>CB-204</b>	191957-7	SR1600	<b>CB-100</b>	181030-1
LS1440				MT903					SR1800
LW1400	<b>CB-203</b>	191953-5	MT923	<b>CB-64</b>	191627-8	SR2100	<b>CB-153</b>	181044-0	
M2300		JM23000123	MT924	<b>CB-419</b>	191962-4	SR2300			
M3601	<b>CB-106</b>	181410-1	MT941	<b>CB-153</b>	181044-0	SR2600			
M4000	<b>CB-85</b>	191998-3	MT952	<b>CB-411</b>	191940-4	TD091D	<b>CB-440</b>	194427-5	
M4301	<b>CB-64</b>	191627-8	MT953				TD101F	<b>CB-411</b>	191940-4
M4500	<b>CB-303</b>	191963-2	MT962				TM3000C	<b>CB-459</b>	194722-3
M4501						MT963			TM3010C
M6002	<b>CB-85</b>	191998-3	N1923B	<b>CB-51</b>	181021-2	TW0200	<b>CB-411</b>	191940-4	
M8100				N500	<b>CB-411</b>	191940-4		TW0350	
M8101				N5900B	<b>CB-153</b>	181044-0	TW1000	<b>CB-153</b>	181044-0
M8104				N800	<b>CB-419</b>	191962-4	UB1101	<b>CB-303</b>	191963-2
M8700	<b>CB-459</b>	194722-3	N910			UB1103Z			
M9001	<b>CB-204</b>	191957-7	NHP1300S	<b>CB-415</b>	191950-1	UC3000A	957802410		
M9203	<b>CB-64</b>	191627-8	PC1100	<b>CB-100</b>	181030-1	UC3001A			
M9204	<b>CB-419</b>	191962-4	PC5000C	<b>CB-253</b>	194547-5	UC3010A	957823410		
M9400	<b>CB-153</b>	181044-0	PC5001C			UC3020A	<b>CB-132</b>	191972-1	
M9502R	<b>CB-411</b>	191940-4	PC5010C	<b>CB-318</b>	191978-9	UC3041A			

UTENSILE	TIPO	CODICE	UTENSILE	TIPO	CODICE	UTENSILE	TIPO	CODICE
M9503R	<b>CB-411</b>	191940-4	UC4003A		957802410	UH5570	<b>CB-419</b>	191962-4
MLS100		JM23000123	UC4010A			UH6300	<b>CB-55</b>	181026-2
MLT100			UC4020A	<b>CB-132</b>	191972-1	UH6310A	<b>CB-119</b>	191911-1
MT111	<b>CB-303</b>	191963-2	UC4030A		957805410	UH6330		957800410
MT191	<b>CB-411</b>	191940-4	UC4051A	<b>CB-153</b>	181044-0	UH6350		
MT240	<b>CB-203</b>	191953-5	UH3000	<b>CB-70</b>	191914-5	UH6540		
MT242			UH4030		957800410	UH6570	<b>CB-419</b>	191962-4
MT361	<b>CB-106</b>	181410-1	UH4500	<b>CB-55</b>	181026-2	UH6580		957800410
UC3500A		957802410	UH4510A	<b>CB-119</b>	191911-1	UH7020		957800410
UC3501A			UH4520		957800410	UH7580	<b>CB-419</b>	191962-4
UC3503A			UH4830			UT120		7132A22S
UC3510A			UH4850			UT1400		
UC3520A	<b>CB-132</b>	191972-1	UH5260	<b>CB-419</b>	191962-4	UT1401		
UC3530A		957805410	UH5261		UT1600		80700019	
UC3541A	<b>CB-132</b>	191972-1	UH5520		957800410	VC3210L		195483-8
UC3551A	<b>CB-153</b>	181044-0	UH5530			VC3211H	<b>CB-173</b>	
UC4000A		957802410	UH5540			VC3211M		
UC4001A			UH5550			VC3510	<b>CB-303</b>	80051B5X



Makita S.p.A. Con socio unico Direzione e Coordinamento Makita Corporation-Giappone  
Via Sempione, 269/A - 20028 San Vittore Olona (MI) - Tel. 0331.524111 - Fax 0331.420285 - www.makita.it